

SPIDAR

WIND MEASUREMENT APPLICATIONS

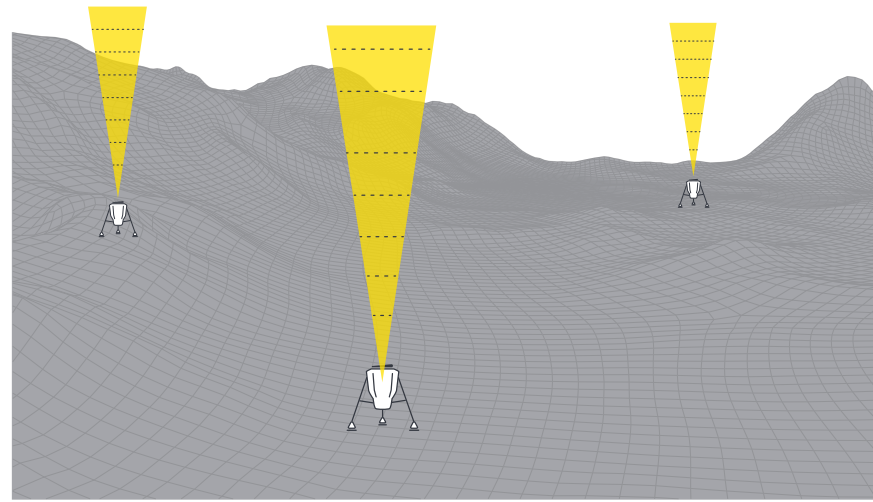
NRG Systems' Spidar Vertical Profiler provides accurate wind measurements across all stages of the project life-cycle.



NRGSystems™

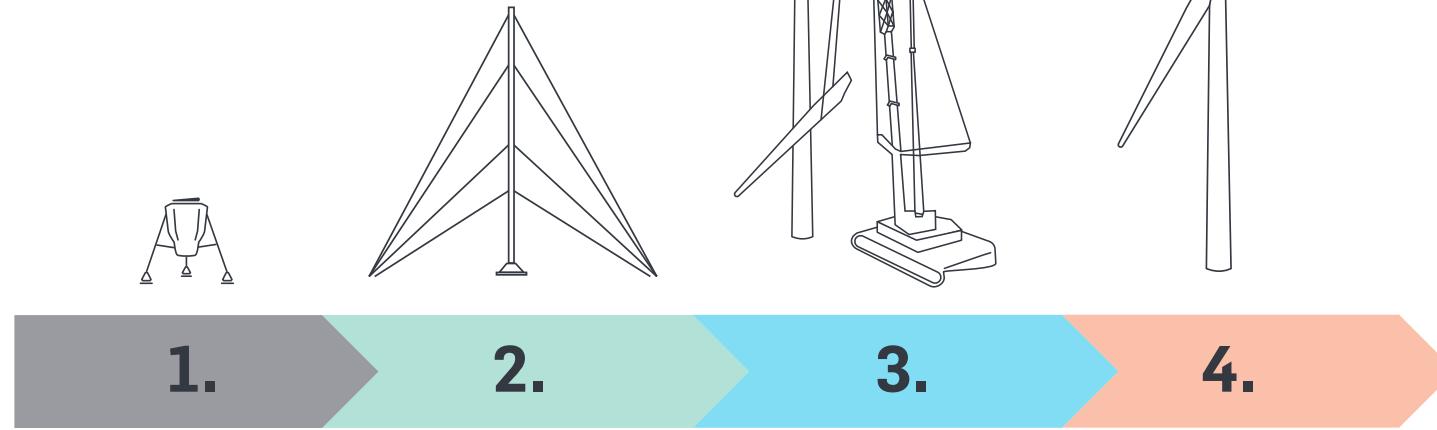
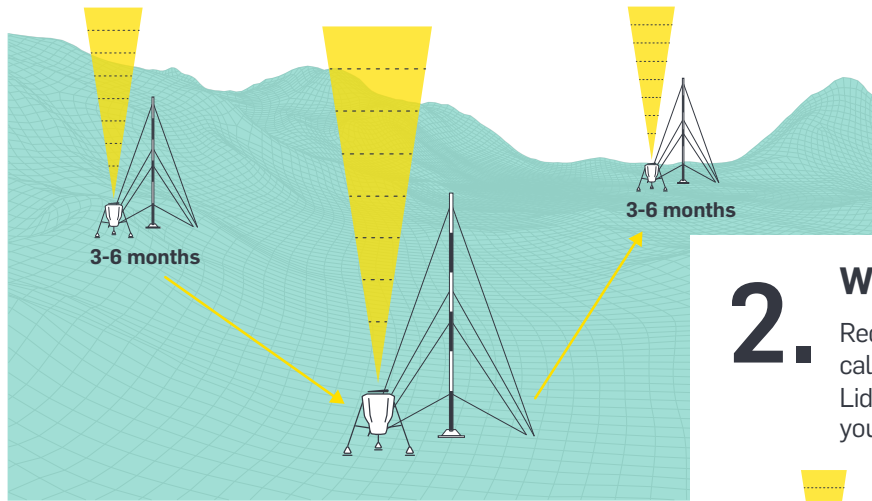
1. Prospecting

Take a first look at the annual energy production potential of your site to verify that it merits the larger investment required for a full scale wind resource assessment campaign.



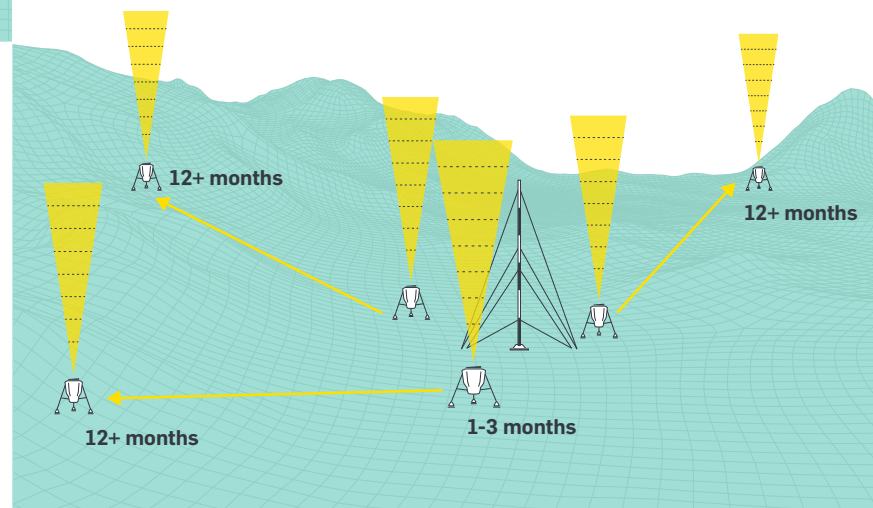
2. WRA: Vertical Uncertainty Reduction

Verify the wind shear profile above several 50m to 80m meteorological towers over the course of a year by temporarily collocating a Spidar and measuring to your turbine's hub height, then redeploying at your next tower.



2. WRA: Horizontal Uncertainty Reduction

Reduce the horizontal uncertainty across your project by calibrating your Spidar alongside your met tower or ZX 300 Lidar and then moving it to points of interest elsewhere on your site for long-term measurement.

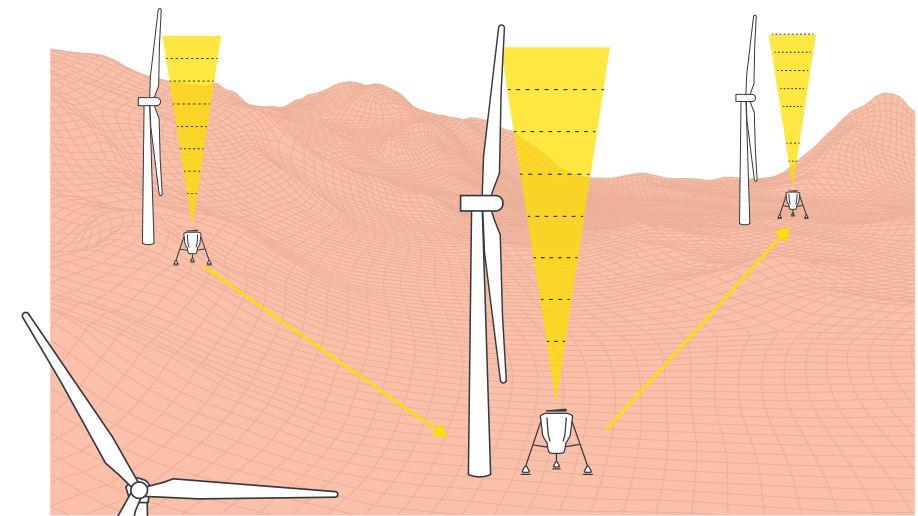


4. Operations

• Informal Turbine Performance Verification

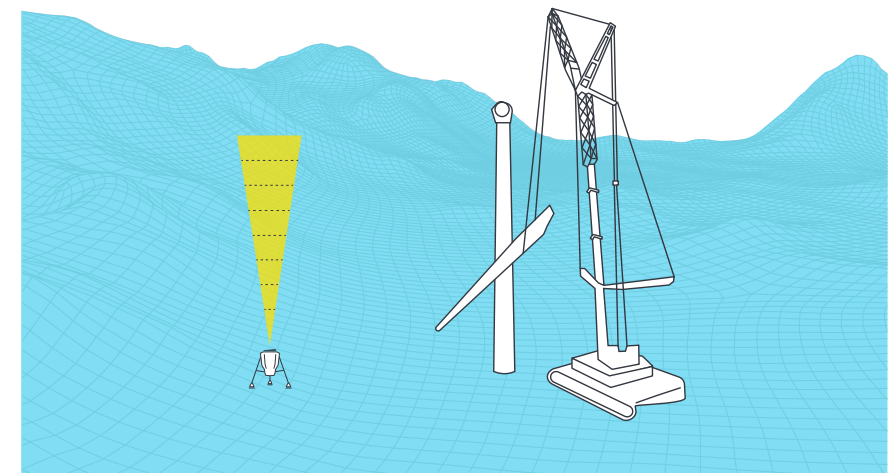
Accurately identify and monitor underperforming turbines for a fraction of the cost of a formal IEC-compliant power performance test.

• Permanent Reference



3. Commissioning: Crane Monitoring

Ensure safe operating conditions for construction personnel and heavy machinery by monitoring the real-time wind conditions at your site during turbine commissioning and repowering.



SPIDAR + TALLTOWER™ COMPLETE SOLUTION

NRG Systems is the only company that designs, manufactures, and supports fully integrated wind resource assessment solutions, including both meteorological towers and Lidar.

Bundle your Spidar Vertical Profiler with the TallTower™ of your choice for a complete solution that arrives at your project site in a single, compact shipment. NRG also provides data loggers and customizable sensor arrangements to meet your individual needs.

Free shipping is available for TallTower™ + Lidar full containers going to major international ports across the globe.



For more information:

NRG Sales
+1 802.482.2255
sales@nrgsystems.com
nrgsystems.com
scanninglidar.com
ISO 9001: 2015 Certified
ISO 14001: 2015 Self-Certified

