

# SATEL-LP-AI4

I/O extension module, 4 analog current inputs

Data sheet  
106924\_en\_00

© SATEL

2015-10-27



## 1 Description

The I/O extension module can be used in conjunction with SATEL-LP wireless modules. In a station structure, you can connect up to 32 I/O extension modules to a wireless module via the DIN rail connector.

The analog I/O extension module is used for processing four input signals.

### Features

- Easy and tool-free I/O mapping via thumb wheel on the front
- Modular design via TBUS DIN rail connector (hot-swap capable)
- Channel-to-channel electrical isolation
- 4 analog inputs (alternatively 0/4 ... 20 mA)
- 16-bit resolution of the analog inputs (accuracy < 0.02%)
- Loop-power function for passive sensors
- International approvals



Make sure you always use the latest documentation.  
It can be downloaded from the product at [www.satel.com](http://www.satel.com).

**SATEL**

---

<b>2</b>	<b>Table of contents</b>	
1	Description .....	1
2	Table of contents .....	2
3	Ordering data .....	3
4	Technical data .....	3
5	Safety regulations and installation notes.....	6
	5.1 Installation notes .....	6
	5.2 UL Notes .....	6
6	Installation .....	7
	6.1 Structure .....	7
	6.2 Basic circuit diagram .....	7
	6.3 Configuration .....	7
	6.4 Display and diagnostic elements .....	8
	6.5 Analog input .....	8
	6.6 Assembly/removal .....	9
	6.7 Connecting the cables .....	10
7	Process data.....	11

### 3 Ordering data

Description	Type	Order No.	Pcs./Pkt.
Analog extension module with 4 analog current inputs (0/4 mA ... 20 mA), with screw connection, incl. DIN rail connector	SATEL-LP-AI4	YI0103	1
Accessories	Type	Order No.	Pcs./Pkt.
2400 MHz wireless transceiver with RS-232, RS-485 2-wire interface, expandable with I/O extension modules, with screw connection, antenna connection: RSMA (female), including DIN rail connector, without antenna	SATEL-LP24	YM0424	1
868 MHz wireless transceiver with RS-232, RS-485 2-wire interface, expandable with I/O extension modules, with screw connection, antenna connection: RSMA (female), including DIN rail connector, without antenna.	SATEL-LP8	YM0408	1
900 MHz wireless transceiver (transmitter and receiver) with RS-232 and RS-485 interface, can be extended with I/O extension modules	SATEL-LP9	YM0409	1
Analog I/O extension module with 4 analog current/voltage outputs (0/4 mA ... 20 mA, 0...10 V), with screw connection, incl. DIN rail connector	SATEL-LP-AO4	YI0104	1

### 4 Technical data

Dimensions	
Dimensions W/H/D	17.5 mm / 99 mm / 114.5 mm
General data	
Overvoltage category	II
Mounting position	any, on standard DIN rail NS 35 in accordance with EN 60715
Degree of protection	IP20
Pollution degree	2
Type of housing	PA 6.6-FR, green
Flammability rating according to UL 94	V0
MTTF (mean time to failure) Telcordia standard, 25°C temperature, 21% operating cycle (5 days a week, 8 hours a day)	771 Years
MTTF (mean time to failure) Telcordia standard, 40°C temperature, 34.25% operating cycle (5 days a week, 12 hours a day)	351 Years
MTTF (mean time to failure) Telcordia standard, temperature 40 °C, operating cycle 100 % (7 days a week, 24 hours a day)	136 Years
Supply	
Supply voltage range	19.2 V DC ... 30.5 V DC (TBUS)
Max. current consumption	≤ 120 mA (At 24 V DC, at 25°C)
Transient surge protection	Yes
Analog input	
Number of inputs	4
Current input signal	0 mA ... 20 mA (can be set via DIP switches) 4 mA ... 20 mA (can be set via DIP switches)
Max. current input signal	22 mA
Input resistance current input	< 70 Ω
Precision	≤ 0.02 % (at 25 °C)
Temperature coefficient, typical	0.0025 %/K (at -40 °C ... +70 °C)
Supply voltage	≥ 12 V DC (For passive sensors (via terminal PWR1, +1))
Resolution (bit)	16 (Bit)
Protective circuit	Overload protection, short-circuit protection

**Electrical isolation**

Analog I/O	50 V (Rated insulation voltage (in each case between the TBUS analog outputs / supply, reinforced insulation according to EN 61010))
	300 V (Rated insulation voltage (to adjacent devices, basic insulation in accordance with EN 61010))

**Test voltage**

Analog I/O	1.5 kV AC (50 Hz, 1 min.)
------------	---------------------------

**Connection data**

Connection method	Screw connection
Conductor cross section, solid	0.2 mm <sup>2</sup> ... 2.5 mm <sup>2</sup>
Conductor cross section, flexible	0.2 mm <sup>2</sup> ... 2.5 mm <sup>2</sup>
Conductor cross section AWG/kcmil	24 ... 14
Stripping length	7 mm
Tightening torque	0.6 Nm


**Status indication**

Status display	Green LED (supply voltage, PWR) Green LED (bus communication, DAT) Red LED (periphery error, ERR)
----------------	---

**Ambient conditions**

Ambient temperature (operation)	-40 °C ... 70 °C (>55°C derating) -40 °F ... 158 °F (>131°F derating)
Ambient temperature (storage/transport)	-40 °C ... 85 °C -40 °F ... 185 °F
Permissible humidity (operation)	20 % ... 85 %
Permissible humidity (storage/transport)	20 % ... 85 %
Altitude	2000 m
Vibration (operation)	in accordance with IEC 60068-2-6: 5g, 10 Hz ... 150 Hz
Shock	16g, 11 ms

**Operating conditions for the extended temperature range (+55 °C ... 70 °C)**

	<p>No function restrictions for the extended temperature range if you keep a minimum distance of 17.5 mm between the modules. The minimum distance is the width of a DIN rail connector.                  Otherwise please observe the following restrictions:                  - Make sure that no more than 40 mA in total is drawn from the loop-powered PWR<sub>1</sub> ... PWR<sub>4</sub> outputs.                  Individual operating conditions on request.</p>
---	---

**Certification**

Conformance	CE-compliant
UL, USA / Canada	UL 508 Listed Class I, Div. 2, Groups A, B, C, D T4A Class I, Zone 2, IIC T4

**Conformance**

EMC directive 2004/108/EC	EN 61000-6-2; EN 61000-6-4
---------------------------	----------------------------

**Tolerances influenced by electromagnetic interference**

Type of electromagnetic interference	Typical deviation of the measuring range final value (current input)	
	Relative	Absolute
-		
Electromagnetic fields according to EN 61000-4-3/IEC 61000-4-3	< ±0.2 %	±40 µA
Conducted interference according to EN 61000-4-6/IEC 61000-4-6	< ±0.35 %	±70 µA
Fast transients (burst) according to EN 61000-4-4/IEC 61000-4-4	< ±0.2 %	±40 µA

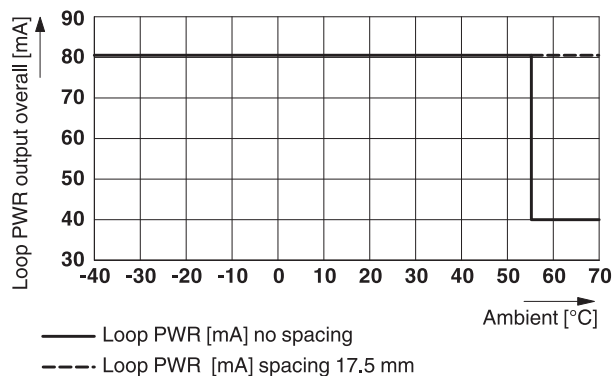


Figure 1 Derating the analog inputs

## 5 Safety regulations and installation notes



**WARNING: Risk of electric shock**

- Provide a switch/circuit breaker close to the device, which is labeled as the disconnect device for this device or the entire control cabinet.
- Disconnect the device from all power sources during maintenance work and configuration (the device can remain connected to SELV or PELV circuits).
- The housing of the device provides a basic insulation against the neighboring devices, for 300 V eff. If several devices are installed next to each other, this has to be taken into account, and additional insulation has to be installed if necessary. If the neighboring device is equipped with basic insulation, no additional insulation is necessary.

## 5.2 UL Notes

**INDUSTRIAL CONTROL EQUIPMENT FOR HAZARDOUS LOCATIONS 45FP**

- A This equipment is suitable for use in Class I, Zone 2, IIC T4 and Class I, Division 2, Groups A, B, C,D T4A hazardous locations or non-hazardous locations only.
- B **WARNING - EXPLOSION HAZARD - DO NOT DISCONNECT EQUIPMENT UNLESS POWER HAS BEEN SWITCHED OFF OR THE AREA IS KNOWN TO BE NON-HAZARDOUS.**
- C **WARNING - EXPLOSION HAZARD - SUBSTITUTION OF COMPONENTS MAY IMPAIR SUITABILITY FOR CLASS 1, DIVISION 2.**
- D These devices are open-type devices that are to be installed in an enclosure suitable for the environment that is only accessible with the use of a tool.
- E **WARNING - Exposure to some chemicals may degrade the sealing properties of materials used in relays within this device.**

## 5.1 Installation notes



**WARNING:**

Observe the following safety notes when using the device.

- Installation, operation, and maintenance may only be carried out by qualified electricians. Follow the installation instructions as described.
- When installing and operating the device, the applicable regulations and safety directives (including national safety directives), as well as general technical regulations, must be observed. The technical data is provided in the package slip and on the certificates (conformity assessment, additional approvals where applicable).
- The device must not be opened or modified. Do not repair the device yourself, replace it with an equivalent device. Repairs may only be carried out by the manufacturer. The manufacturer is not liable for damage resulting from violation.
- The IP20 protection (IEC 60529/EN 60529) of the device is intended for use in a clean and dry environment. The device must not be subject to mechanical strain and/or thermal loads, which exceed the limits described.
- To protect the device against mechanical or electrical damage, install it in a suitable housing with appropriate degree of protection as per IEC 60529.

## 6 Installation



**NOTE: electrostatic discharge!**  
 The device contains components that can be damaged or destroyed by electrostatic discharge. When handling the device, observe the necessary safety precautions against electrostatic discharge (ESD) according to EN 61340-5-1 and IEC 61340-5-1.

### 6.1 Structure

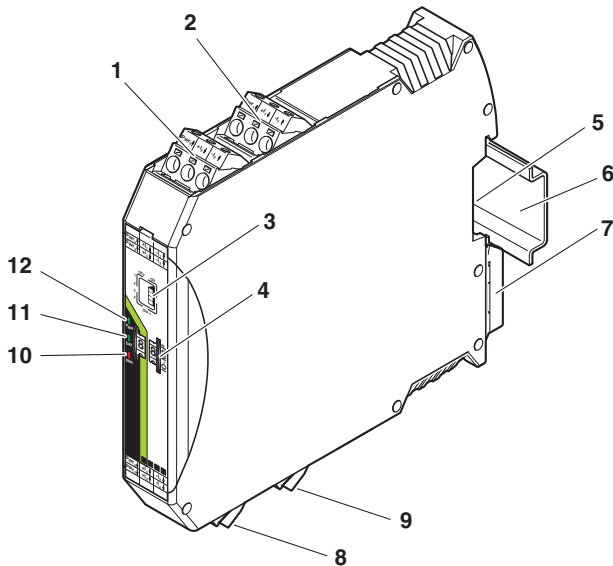


Figure 2 Function elements

Pos.	Designation
1	Analog input 2 for 2, 3, 4-wire measuring transducer
2	Analog input 1 for 2, 3, 4-wire measuring transducer
3	DIP switches for configuring the analog inputs
4	White thumbwheel for setting the I/O-MAP address
5	Connection option for TBUS DIN rail connector
6	DIN rail
7	Metal foot catch for DIN rail fixing
8	Analog input 3 for 2, 3, 4-wire measuring transducer
9	Analog input 4 for 2, 3, 4-wire measuring transducer
10	ERR status LED, red (communication error)
11	DAT status LED, green (BUS communication)
12	PWR status LED, green (supply voltage)

### 6.2 Basic circuit diagram

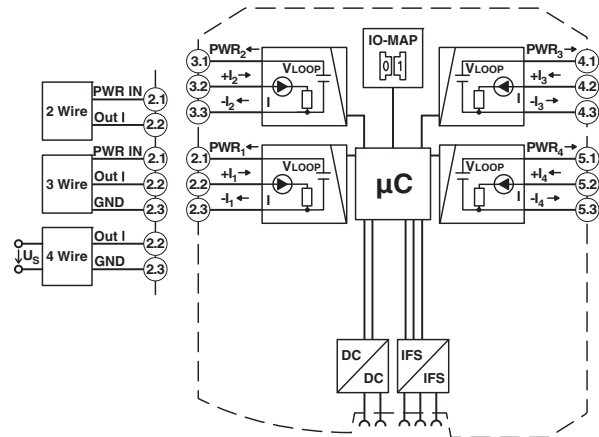


Figure 3 Basic circuit diagram

### 6.3 Configuration

The DIP switches on the front can be used to configure the input signals ranges (0 ... 20 mA or 4 ... 20 mA).

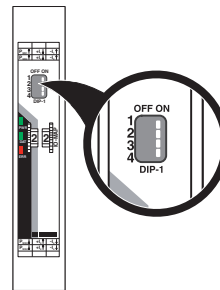


Figure 4 DIP switches

Input	Configuration	DIP switch			
		1	2	3	4
Analog IN1	0...20 mA	OFF			
Analog IN1	4...20 mA	ON			
Analog IN2	0...20 mA		OFF		
Analog IN2	4...20 mA		ON		
Analog IN3	0...20 mA			OFF	
Analog IN3	4...20 mA			ON	
Analog IN4	0...20 mA				OFF
Analog IN4	4...20 mA				ON

**I/O MAP address**

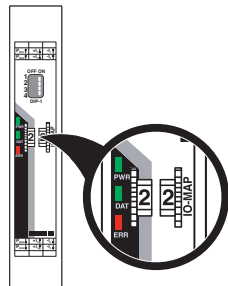


Figure 5 Thumb wheel

Use the thumbwheel to set the I/O-MAP address. The extension module in the SATEL-LP wireless system is addressed using the I/O-MAP address.

The following conditions must be met:

On the entire wireless network, addresses 1 to 99 (I/O MAP) (maximum) may be assigned for the I/O extension modules.

Thumbwheel	Description
01 - 99	I/O MAP address
00	Delivery state
** , 1* - 9*	Setting not permitted
*1 - *9	Interface System slave address, for use with other Interface System (IFS) master devices

**Wireless module in I/O data mode**

The input device must be provided with the same I/O MAP address as the assigned output device at the other wireless station (I/O mapping).

The I/O MAP address of an input module may only appear once in the network.

Example:	I/O MAP address
SATEL-LP-AI4	02
SATEL-LP-AO4	02

Only the SATEL-LP-AO4 module can be assigned to the SATEL-LP-AI4 module.

**Wireless module in PLC/Modbus RTU mode**

The I/O MAP address of an input module may only appear once in the network.

The input data is saved in a Modbus memory map in the master wireless module. You can read or write the process data via the serial interface of the master wireless module (RAD-ID = 01) using the Modbus RTU commands (see Section 7).

**6.4 Display and diagnostic elements**

The I/O extension module uses a total of three LEDs to indicate the operating states.

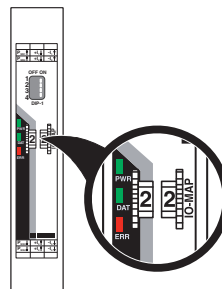


Figure 6 Display and diagnostic elements

**PWR LED**

The green PWR LED indicates the supply voltage status.

- OFF No supply voltage
- ON Supply voltage OK

**DAT LED**

The green DAT LED indicates the bus communication status.

- OFF No communication
- Flashing Configuration/addressing mode
- ON Cyclic data communication

**ERR LED**

The red ERR LED indicates the error status, e.g., no corresponding output module found (e.g., incorrect addressing).

- OFF No error
- Flashing Slow (1.4 Hz) I/O-MAP address changed
- Fast (2.8 Hz) No bus communication
- ON Critical internal error

**6.5 Analog input**

The analog input of the extension module is able to process standard signals (0/4...20 mA).

All the inputs are electrically isolated from one another, from the supply voltage (via bus foot), and from other electronic components.

A supply voltage of 12 V DC, minimum, is available at the connection terminal block (PWR<sub>1</sub>) for the use of passive sensors (1 in Figure 2, connection assignment see Figure 3).



## 6.6 Assembly/removal

### Connection station with I/O extension modules

Up to 32 different I/O extension modules can be connected to every wireless module via the DIN rail connector (see accessories). Data is transmitted and power is supplied to the I/O extension modules via the bus foot.

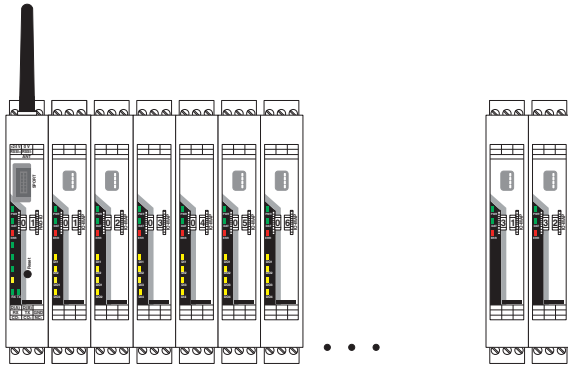


Figure 7 SATEL-LP connection station with up to 32 I/O extension modules



The I/O extension modules must only be mounted to the right of the wireless module.

To mount on the DIN rail connector, proceed as follows:

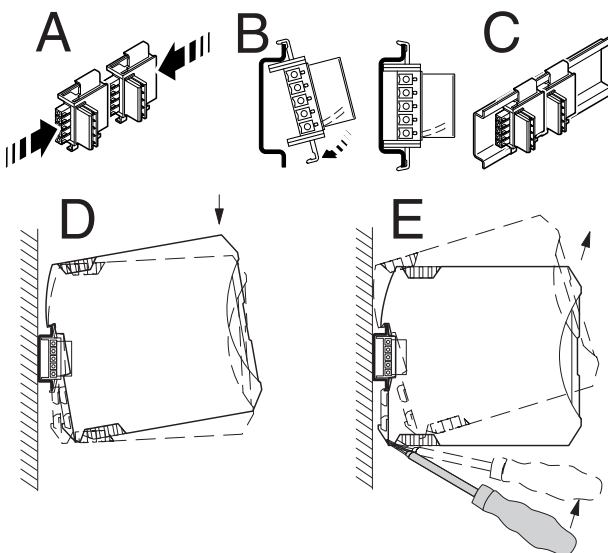


Figure 8 Mounting and removing

When using the device in a connection station, use the 17.5 mm wide DIN rail connector supplied. Only use the DIN rail connector in connection with 24 V DC devices.

- Connect the DIN rail connectors together for a connection station.
- Push the connected DIN rail connectors into the DIN rail.
- Place the device onto the DIN rail from above. Ensure the device and DIN rail connector are aligned correctly.
- Holding the device by the housing cover, carefully push the device towards the mounting surface so that the device bus connector is securely fixed onto the DIN rail connector.
- Once the snap-on foot has been audibly snapped onto the DIN rail, check that it is fixed securely. The device is only mechanically secured via the DIN rail.
- Connect the desired number of I/O extension modules to the wireless module via the DIN rail connector.
- Install the device in suitable housing to meet the requirements for the protection class.
- During startup, check that the device is operating, wired, and marked correctly.

To remove, proceed as follows:

- Use a suitable screwdriver to release the locking mechanism on the snap-on foot of the device.
- Hold onto the device by the housing cover and carefully tilt it upwards.
- Carefully lift the device off the DIN rail connector and the DIN rail.

## 6.7 Connecting the cables

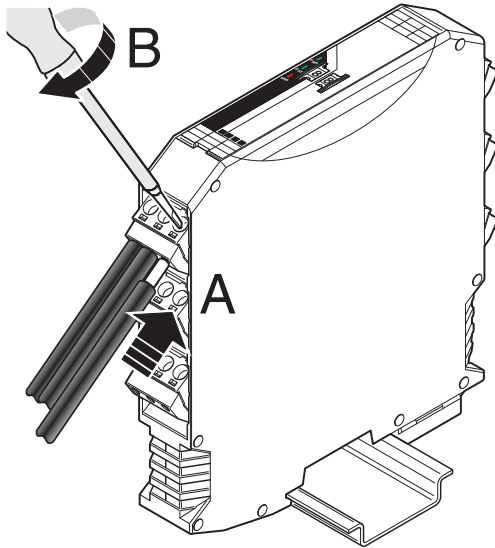


Figure 9 Connecting the cables

- Crimp ferrules to the wires.  
Permissible cable cross section: 0.2...2.5 mm<sup>2</sup>.
- Insert the wire with ferrule into the corresponding connection terminal block.
- Use a screwdriver to tighten the screw in the opening above the connection terminal block.  
Tightening torque: 0.6 Nm

## 7 Process data

You can read or write the process data via the serial interface of the master wireless module (RAD ID = 01) using Modbus RTU commands.

With the SATEL-LP-CONF software, you can set the wireless module's network application to "PLC/Modbus RTU mode".

I/O module	SATEL-LP-AI4
Module type	20 <sub>hex</sub>
Number of registers	06 <sub>hex</sub>
Address space	30xx0 ... 30xx5
Modbus function code	fc04

xx = I/O MAP address set using the white thumbwheel

30xx0	Module type and currentness of data																
15	14	13	12	11	10	09	08	07	06	05	04	03	02	01	00	Y	Module type

### Register values:

Module type If the module type in the register is invalid or unavailable, then the register value is 0

Currentness of data Y = Currentness of data, bit 8  
If the data in the register is not up-to-date, then the register value is 1.

This is the case, for example, if the wireless connection or communication with an input module fails. In this case, the IN process data is retained in the Modbus table, but is no longer updated.

30xx1	Reserved
-------	----------

30xx2	Analog input 1 (terminal point 2.x)																
15	14	13	12	11	10	09	08	07	06	05	04	03	02	01	00	AI1	

30xx3	Analog input 2 (terminal point 3.x)																
15	14	13	12	11	10	09	08	07	06	05	04	03	02	01	00	AI2	

30xx4	Analog input 3 (terminal point 4.x)																
15	14	13	12	11	10	09	08	07	06	05	04	03	02	01	00	AI3	

30xx5	Analog input 4 (terminal point 5.x)																
15	14	13	12	11	10	09	08	07	06	05	04	03	02	01	00	AI4	

30xx6 ... 30xx9	Reserved
-----------------	----------

### Illustration of analog values

Data word		0 mA ... 20 mA	4 ... 20 mA
hex	dec		
0000	0	0 mA	-
1770	6000	4 mA	4 mA
7530	30000	20 mA	20 mA
7F00	32512	21.67 mA	21.67 mA
8001	Overrange	> 21.67	> 21.67
8002	Open circuit	-	<3.2 mA
8080	Underrange	< 0 mA	-